



NITRON[®]-4X

The Nitron-4X elevates menus with nitro, still and trending cold beverages from one compact footprint.

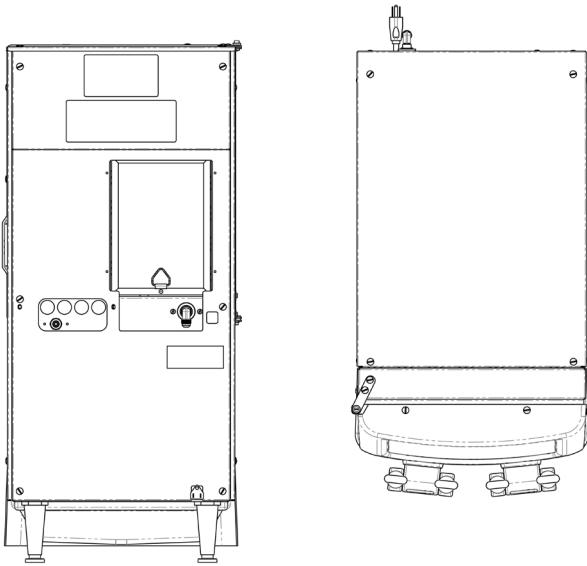
4 Taps, Endless Possibilities

Expand your beverage menu with 4 dispense heads for high-margin nitrogenated and still beverages. Reclaim time and space from tedious preparation, brewing and storage processes. Nitron-4X serves cold brew, iced coffee, tea, juice, limited time offerings and mocktails in concentrates from 4:1 to 12:1 in a compact footprint. Equipped with standard tap handles and a removable graphic so your menu can evolve with the latest craft beverage trends. High capacity is ideal for heavy dayparts in convenience stores, quick service restaurants and cafes.

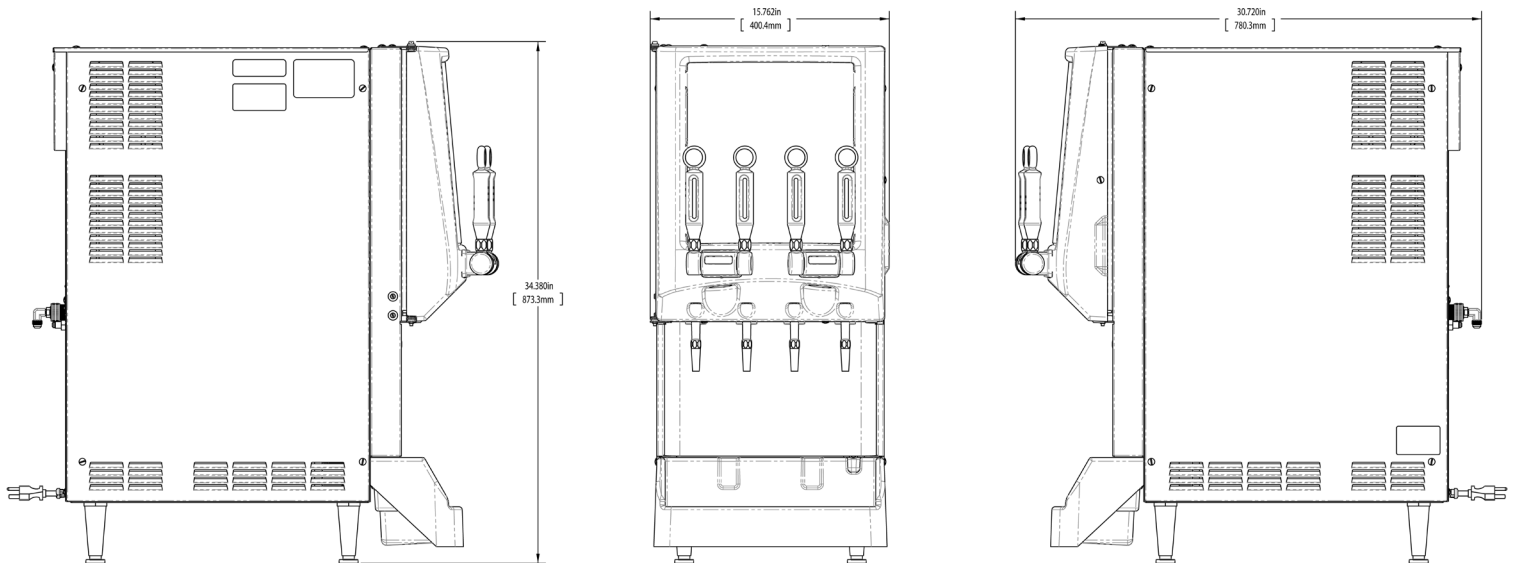
FEATURES

- ✓ Tap Handles: Standard thread/Customizable
- ✓ Removable Graphics with backlit LED Lighting
- ✓ Exclusive BUNN High Intensity Mixing Technology
- ✓ Keg Free. Compatible with Nitron Gas Module and nitrogen tanks
- ✓ 4 Dispense Stations
- ✓ 8.76 Inches of clearance for large cup sizes
- ✓ Dispenses nitro coffee, cold brew, iced coffees, juices, lemonades, teas, and mocktails in one compact footprint
- ✓ Works with 4:1 up to 12:1 concentrate products from frozen, refrigerated, or ambient formats
- ✓ 7.5 gallons per hour < 41F (75F incoming water temperature)

34.4" H x 15.8" W x 30.7" D (87cm x 40.1cm x 78cm)



Technical Data	
MATERIAL	Metal Housing and Stainless Steel
FLOW RATE	1.0oz - 1.5oz per second
VENTILATION	6" Back and top
MINIMUM WATER INLET PRESSURE	30 PSI
MAXIMUM WATER INLET PRESSURE	90 PSI
WATER SUPPLY CONNECTION	3/8" MFL
N ₂ GAS INPUT CONNECTION	1/4" Male Flare Bulkhead
MINIMUM N ₂ INLET PRESSURE	100 PSI
MAXIMUM N ₂ INLET PRESSURE	130 PSI
HIGH PRESSURE N ₂ REGULATOR (54060.0000 required for tanks, sold separately)	125 PSI Pressure Output
ICE BANK	8 lbs
PRODUCT CONCENTRATE PACKAGING	1-gallon Ball-valve BIB or BUNN Refillable Container (sold separately)



This is a pre-launch informational sales flyer. BUNN reserves the right to make product design changes prior to publishing the approved Specification Sheet.

BUNN[®] reserves the right to change specifications and product design without notice. Such revisions do not entitle the buyer to corresponding changes, improvements, additions, or replacements for previously purchased equipment. For most current specifications and other info visit bunn.com.