



INFUSION SERIES[®]

PLATINUM PRO™

BUNN Infusion Series Platinum Pro is a versatile, multi-beverage brewing platform designed to brew hot & cold coffees, teas, and lemonades in one, compact footprint. The brewer helps streamline operational efficiencies by providing staff with the ability to brew back-to-back beverages at multiple temperatures and volumes with ease and very little wait time or recovery.

Coffee aficionados will appreciate the flexibility and control of the extraction with the multi-temperature feature available for each stage of the brew cycle to further enhance flavor profiles and elevate beverages. Perfect for cafés, specialty tea shops, and quick-serve restaurants, equipment payback can be realized in under 1 month based on sales of 20 cups per day, with potential for additional savings in labor and waste over multiple pieces of equipment in the beverage program.

FEATURES

✔ On-Demand Hot & Cold Brew Temperatures

Brew a variety of different beverages at different temperatures without having to wait for heating or cooling. The innovative design of the Infusion Series Platinum Pro brewer enables on-demand brewing at precise temperatures, ensuring optimal flavor extraction for each beverage type. Whether brewing hot & cold coffees, teas, or lemonades, enjoy the flexibility to adjust temperature settings effortlessly to meet the unique requirements of each recipe, all with the convenience of immediate access through the touchscreen interface and without any downtime for temperature adjustments.

✔ Optimized Beverage Bar

Optimize the beverage bar with the brewer's compact footprint. Offering a wide range of beverages within a single, space-efficient design, it's the perfect solution for businesses that value both variety and space optimization. There is no need to have multiple pieces of equipment to brew various beverages - the BUNN Infusion Series Platinum Pro streamlines the beverage program by saving counterspace without the hassle.

✔ Redefined Versatility

Engineered to meet diverse beverage recipe needs, the Infusion Series Platinum Pro provides the ability to fine-tune coffee and tea recipes through adjustable brew temperatures and volumes for each stage of a brew cycle, enabling operators to cater to different consumer preferences without sacrificing quality. It is the ideal choice for those seeking efficiency and consistency across a spectrum of high-quality beverages. Every brew is a testament of BUNN's commitment to Best Result in the Cup.

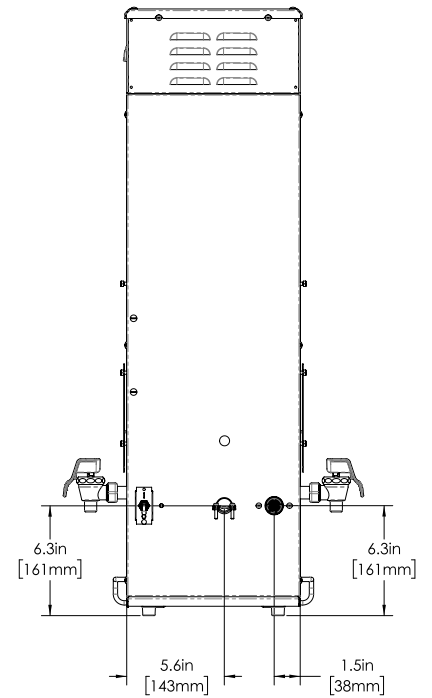
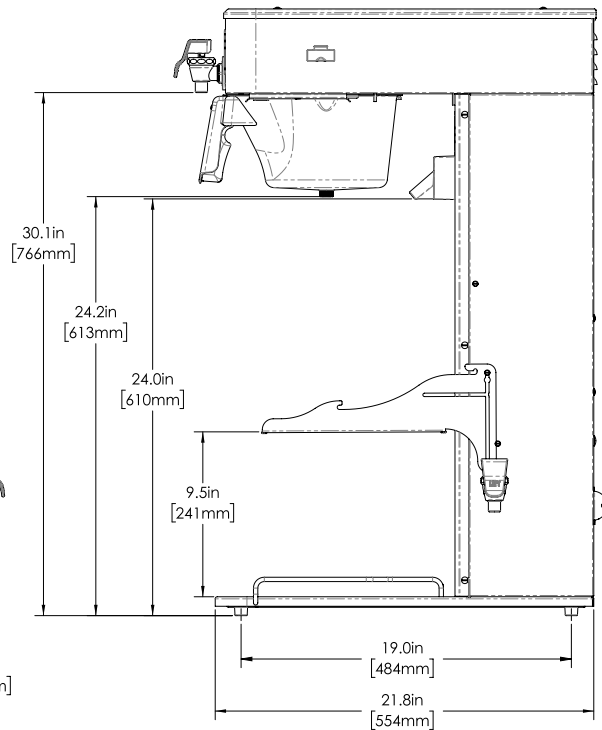
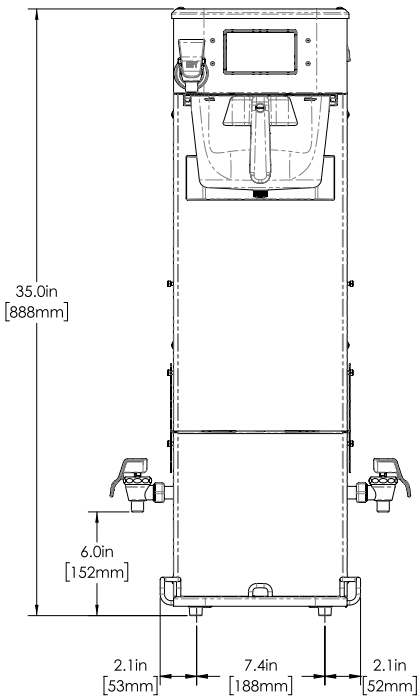
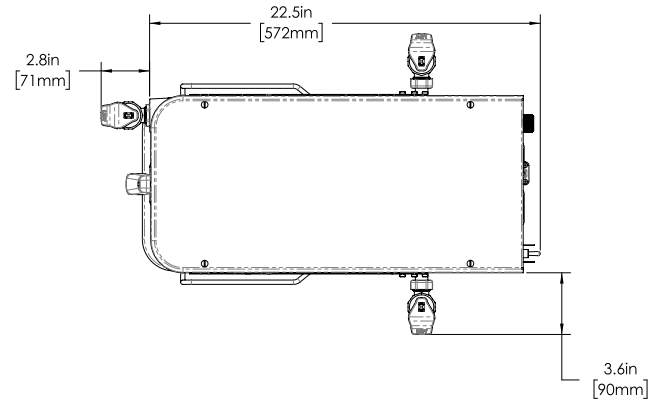
✔ Improved Operational Efficiencies

No more wasted labor managing multiple pieces of brewing equipment on the counter! Streamline operations and maximize labor efficiency with the Infusions Series Platinum Pro. Allow staff to focus on what matters most - delivering exceptional beverages to customers.



INFUSION SERIES® PLATINUM PRO

35.0" W x 11.6" D x 22.5" H
(88.9cm x 29.5cm x 57.2cm)



This is a pre-launch informational sales flyer. BUNN reserves the right to make product design changes prior to publishing the approved Specification Sheet.

BUNN® reserves the right to change specifications and product design without notice. Such revisions do not entitle the buyer to corresponding changes, improvements, additions, or replacements for previously purchased equipment. For most current specifications and other info visit bunn.com.

bunn.com